

BLUE LINE USA



BLUE LINE CORNER ROLLER

BLUE LINE CORNER ROLLER

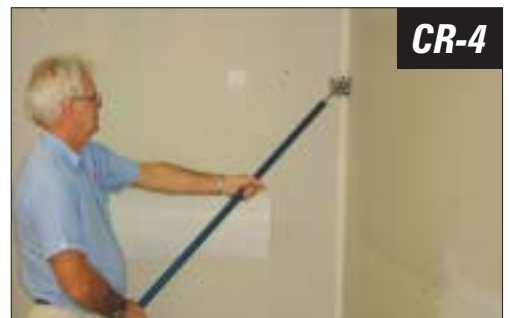
The Blue Line Corner Roller is designed for embedding paper joint tape into the 90° internal angles on vertical and horizontal joints. The Blue Line Corner Roller is used after the Blue Line Automatic Taper.

BEFORE USE

- > Ensure that the Blue Line Corner Roller is free from any dry joint compound.
- > Check that both the stainless steel rollers and pivot pin move freely.

USING THE BLUE LINE CORNER ROLLER

1. Dip the Blue Line Corner Roller head in a bucket of clean water. This will reduce initial friction and tape drag. **(CR-1)**
2. Whilst standing directly in front of the internal, place the Blue Line Corner Roller in the center of the internal joint. Roll gently down the internal to crease paper tape. **(CR-1)**
3. Roll the Blue Line Corner Roller up the internal increasing the pressure to the top. **(CR-2)**
4. Roll the full length of the internal several times with enough pressure to force any excess joint compound out from behind the paper tape.
5. When rolling angles between walls and ceilings hold the Blue Line Corner Roller at 45° to the internal. **(CR-3)**
6. Remove excess joint compound with a Blue Line Corner Finisher and let the internal dry before final coating. **(CR-4)**





CLEANING

Your Blue Line Corner Roller should be cleaned after every use to maximize lifespan and maintain optimal performance.

1. Clean the Blue Line Corner Roller with a hose and stiff brush. **(CR-5)**
2. Ensure all joint compound is removed from roller and pivot pin.

Tip: Place the Blue Line Corner Roller in a bucket of clean water when not in use on the job site to prevent the joint compound from drying on the rollers between uses.



WARRANTY REPAIRS

We have established a network of authorized warranty repair facilities in the western, central and eastern United States as well as Canada.

SERVICING

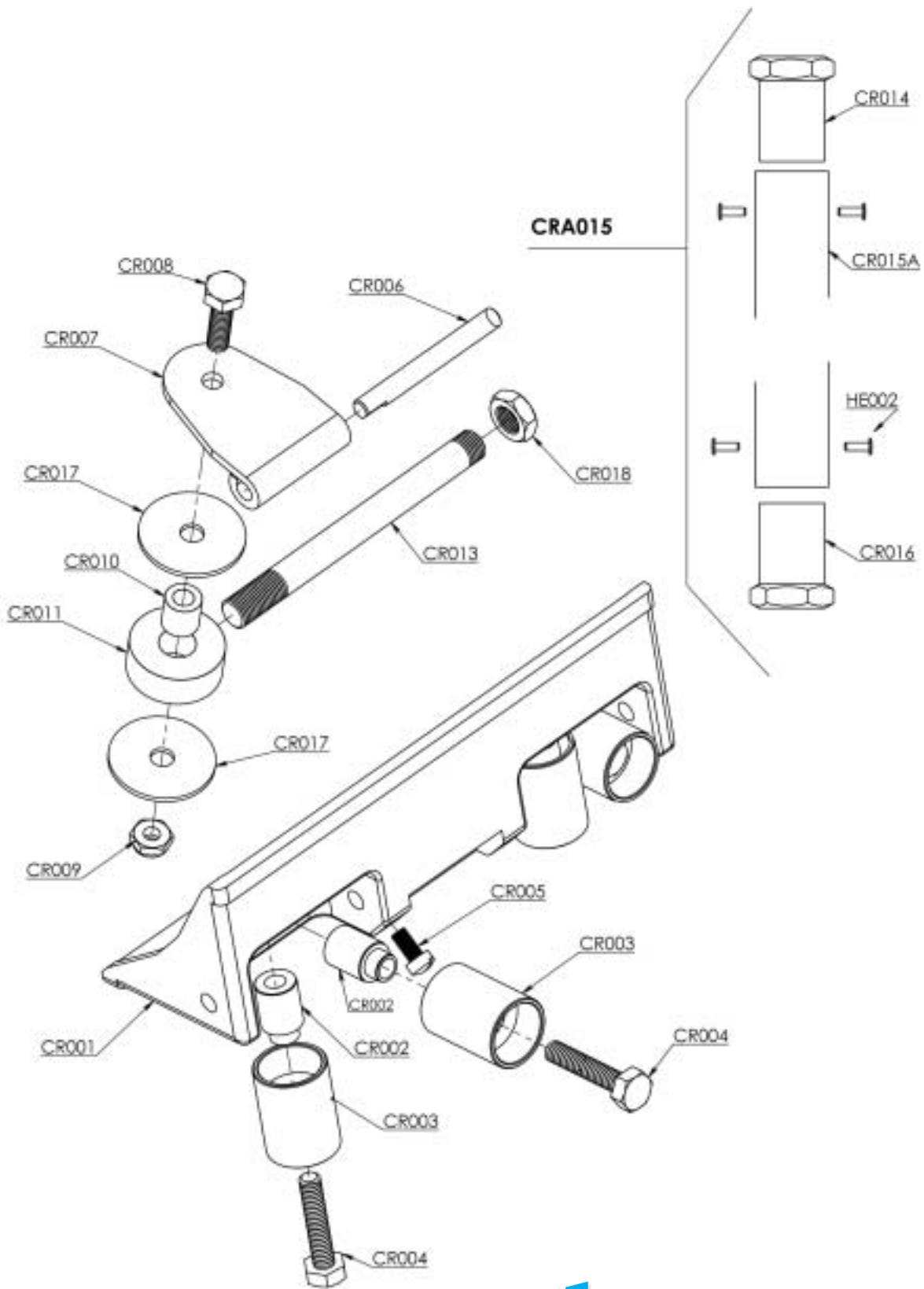
Your Blue Line Drywall Tools LLC authorized warranty repair facility has a professional workshop with trained staff to carry out all your servicing needs.

SPARE PARTS

Easy to install maintenance kits are available from your Blue Line Drywall Tools LLC distributor. All parts are available, some may require ordering.

CARE OF YOUR TOOLS

We recommend Readymix Jointing Compounds. Chemically fast setting compounds may only be used in the Blue Line Drywall Tools Pump, Flat Boxes, Nail Spotters, and Corner Box. Chemically fast setting compounds must not be used in the Automatic Taper. Always clean and lubricate your Blue Line Drywall Tools to maintain maximum efficiency.



For more information, call the order desk at (800) 423-1806

www.bluelineusa.com

1250 South Wilson Way, Suite B-10 • Stockton, California 95205 • (800) 423-1806 • (209) 942-1351 • Fax (209) 942-2817