



# ***BLUE LINE CORNER BOX***

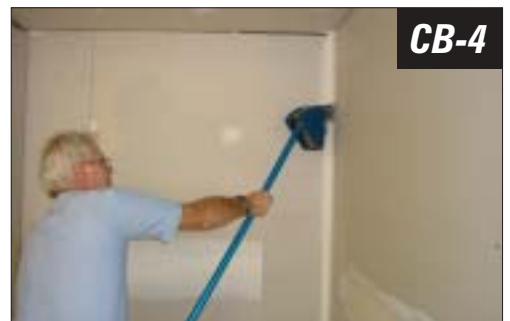
The Blue Line Corner Box is designed to be used with the Blue Line Corner Finisher to apply a finishing coat to all 90° internal angles. This is one of the last procedures and will cover the tape with joint compound and feather the edges of the compound onto the tape.

## ***BEFORE USE***

- > Ensure that the Blue Line Corner Box is free from any dry joint compound. **(CB-1)**
- > Check that both the pressure plate and the filler valve move freely.

## ***USING THE BLUE LINE CORNER BOX***

1. Fill the Blue Line Corner Box by removing the nozzle from the box filler which is attached to the loading pump. Insert the Blue Line Corner Box filler valve into the box filler. **(CB-2)**
2. Pump until the box is full.
3. Snap the Blue Line Corner Finisher onto the nose cone of the Blue Line Corner Box. Ensure the swivel chain is attached, to reduce the risk of damage to the Blue Line Corner Finisher. **(CB-3)**
4. Place the Blue Line Corner Finisher at the top of the internal. Apply pressure and pull the Blue Line Corner Box down the internal to approximately 24" from the bottom of the joint. **(CB-4 & CB-5)**
5. Turn the Blue Line Corner Box around and starting from the bottom of the joint run up the internal. **(CB-6)**





## CLEANING

Your Blue Line Corner Box should be cleaned after every use to maximize lifespan and maintain optimal performance.

1. Fully open the Blue Line Corner Box by loosening the thumb screw on the side of the box and thoroughly clean with a hose and stiff brush.
2. Ensure all joint compound is removed from the box and nose cone



CB-5

## WARRANTY REPAIRS

We have established a network of authorized warranty repair facilities in the western, central and eastern United States as well as Canada.



CB-6

## SERVICING

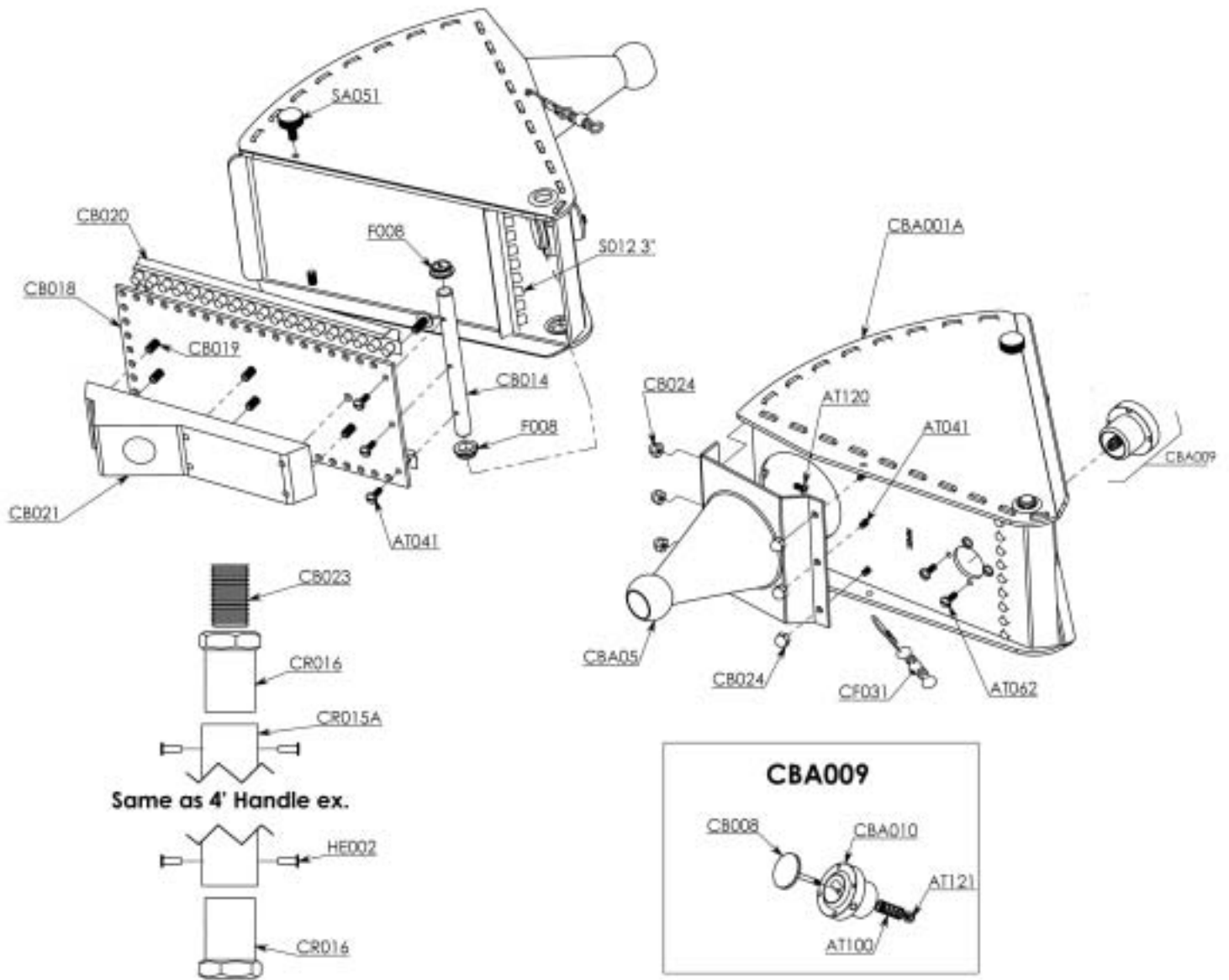
Your Blue Line Drywall Tools LLC authorized warranty repair facility has a professional workshop with trained staff to carry out all your servicing needs.

## SPARE PARTS

Easy to install maintenance kits are available from your Blue Line Drywall Tools LLC distributor. All parts are available, some may require ordering.

## CARE OF YOUR TOOLS

We recommend Readymix Jointing Compounds. Chemically fast setting compounds may only be used in the Blue Line Drywall Tools Pump, Flat Boxes, Nail Spotters, and Corner Box. Chemically fast setting compounds must not be used in the Automatic Taper. Always clean and lubricate your Blue Line Drywall Tools to maintain maximum efficiency.



For more information, call the order desk at (800) 423-1806

[www.bluelineusa.com](http://www.bluelineusa.com)

1250 South Wilson Way, Suite B-10 • Stockton, California 95205 • (800) 423-1806 • (209) 942-1351 • Fax (209) 942-2817